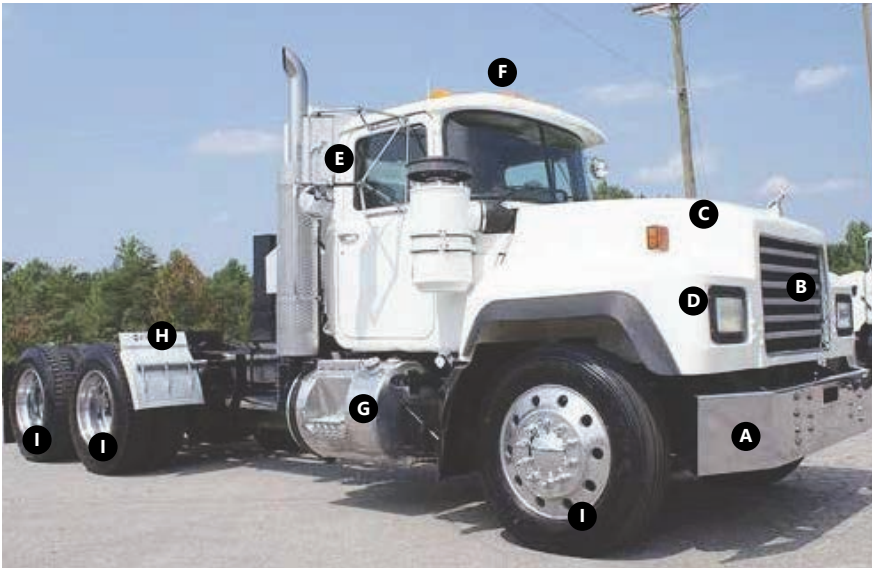


AFTERMARKET COLLISION PARTS



A BUMPERS

P/N GV001012

12" Chrome Bumper w/Tow Holes, 14 Bolt Mount, Break Back, For Mack RD 688, Fits 1990-2004

P/N GQ000012

12" Chrome Bumper, Open End, 10 Bolt Mount, For Mack RD 690

P/N GS001013

16" Chrome Bumper w/Tow Holes, 12 Bolt Mount, For Mack RD 690, Fits 1990-2004

P/N GS000013

16" Chrome Set Back Axle Bumper w/o Tow Holes, 12 Bolt Mount, For Mack RD 690, Fits 1990-2004

P/N GH001102

16" Chrome Bumper w/Tow & Vent Holes, Standard, For Mack RD 688 & Mack RD 690, Fits 1990-2004

P/N GH000002

16" Chrome Bumper, Bolt Holes Only, Standard, For Mack RD Western Contractor, Fits 1990-2004

B ENGINE COOLING PARTS

P/N 11-070002

AC Condenser, Replaces OE 210RD418M, Fits 1996-2005

P/N 11-070103

Charge Air Cooler, Replaces OE 3MD538M, Fits 1991-2003

P/N 29-070100

Charge Air Cooler Hose & Clamp, Includes (2) 4" Hoses & (4) Stainless Clamps, Fits 1989-2004

P/N 11-070200

Plastic Aluminum Radiator w/o Frame Work, 34.625" Width, 27.5" Height, 2.0 I.D., 2.5" O.D., Replaces OE 3MF5485M2, 3MF5531M

C HOODS & RELATED

P/N 11-12501

Aftermarket Fiberglass 1 Piece Hood Shell w/17" Fender, Will Replace Medium or Short Fender Application w/Modifications To Length, Replaces OE 1QM5780-1A, 25071905, Fits 1990 & Newer, Long Fender Call For Details

P/N 11-12566

Aftermarket Hood Shell, Fits Western Contractor, Looks Like RD Hood But Is 2" Shorter, Special Order, Non-Refundable, Replaces OE 25136568, 1QM5781, 1QM5791, Fits 1998 & Newer

P/N 11-124004

Hood Spring, Replaces OE 25158019, 57QL251M, Fits 1999-2004

P/N 11-124008

Hood Cable, Replaces OE 27RC245, 25171452, Fits 1990-2003

D HEADLIGHTS & TURN SIGNALS

P/N 11-1606007

Aftermarket Black Headlight Bezel, Replaces OE 25161698, Fits 1995-2000

E MIRRORS & RELATED

P/N 09-0915011

Stainless Steel Mirror Head

P/N 09-0915007

Heated Mirror Head

P/N 09-0915008

Heated/Lighted Mirror Head

P/N 09-0915006

Heated/Motorized Mirror Head

P/N 09-0915005

7.5" Spot Mirror, Offset Stud

P/N 09-0915003

8.5" Spot Mirror, Center Stud

P/N 09-0915004

8.5" Spot Mirror, Offset Stud

P/N 09-0915010

8.5" Heated Spot Mirror

F AIR HORNS & RELATED

P/N 09-051325

30" Chrome Round Style Air Horn

P/N 09-051327

26" Chrome Square Hadley Style Air Horn

P/N 09-051333

29" Chrome Square Hadley Style Air Horn

G FUEL TANK ACCESSORIES

P/N 09-060302

Safety Vent 1/2" Thread, Fits 1984-2006

P/N 29-060302

Fuel Sender, Tube Style, 26" Dia. Fuel Tanks 240-33OHM, Replaces OE 11-03997-026

P/N 29-060313

Adjustable Fuel Sender Fits 6" to 27" DIA. Tanks, 240 to 33 OHM

P/N 29-060305

Return Fuel Splitter, High Flow

P/N 29-060307

Anti-Siphon Tube Insert, 3" I.D. Fill Neck,

P/N 29-060308

3" Non-Locking, Non-Vented Fuel Cap w/Pressure Relief, Replaces OE 2040848C91, Fits 1997 & Newer

P/N 29-060309

3" Locking, Non-Vented Fuel Cap w/Pressure Relief, Fits 1997 & Newer

H FENDERS & RELATED

P/N 09-11050602

Black Poly Quarter Fenders, Sold As A Pair

P/N 09-110306041

24" Stainless Steel Quarter Fender w/Tube, Mounts To Standard Post, Post Not Included, Sold As A Pair

P/N 09-11030600

Stainless Steel Quarter Fenders w/Full Braces, 22" Height x 25" Wide, 13.5" From Bottom To Center Of Mount, Sold As A Pair

I WHEELS & ACCESSORIES

P/N 09-20132231

22.5" Accuride Aluminum Wheel, Steer/Drive

P/N 09-20132431

24.5" Accuride Aluminum Wheel, Steer/Drive

***Prices are subject to change without notice.

****High Quality Aftermarket Replacement Part (Not OEM Parts).

All items represented are aftermarket replacement parts. If you require OEM parts, please contact your nearest authorized Mack dealer. Four State Trucks is not affiliated with Mack.

FITS MACK RD

www.BestFitTruckParts.com
855-220-8608

AFTERMARKET COLLISION PARTS

EXHAUST PARTS FOR Mack RD, 1990 & NEWER

1 P/N 29-080001
5" Turbo V-Band Clamp, Replaces OE 11-ME-241

P/N 11-08423410
4" Turbo V-Band Clamp, Replaces OE 48RU2341

2 P/N 11-08116980
Exhaust Turbo Pipe, Replaces OE 4ME-21698, Fits 1990-2000

P/N 11-081891M0
Exhaust Turbo Pipe, Replaces OE 4ME-4891M, Fits 1990-2000

3 P/N 09-080451
5" Stainless Steel Flex Pipe, Sold By The Foot

4 P/N 11-08126030
Exhaust Intermediate Pipe, Replaces OE 4ME-32603, Fits 1990-2000

P/N 11-08130920
Exhaust Intermediate Pipe, Replaces OE 4ME-33092, Fits 1990-2000

5 P/N 11-08126120
Exhaust Elbow Multi Bend Plain BOM, Replaces OE 4ME-32612, Fits 1990-2000

P/N 11-08146580
Exhaust Elbow Multi Bend Plain BOM, Replaces OE 4ME-4658, Fits 1990-2000

P/N 11-08147620
Exhaust Elbow Multi Bend Plain BOM, Replaces OE 4ME-4762, Fits 1990-2000

P/N 11-08149250
Exhaust Elbow Multi Bend Plain BOM, Replaces OE 4ME-4925, Fits 1990-2000

P/N 11-08149260
Exhaust Elbow Multi Bend Plain BOM, Replaces OE 4ME-4926, Fits 1990-2000

P/N 11-08149690
Exhaust Elbow Multi Bend Plain BOM, Replaces OE 4ME-4969, Fits 1990-2000

P/N 11-08149700
Exhaust Elbow Multi Bend Plain BOM, Replaces OE 4ME-4970, Fits 1990-2000

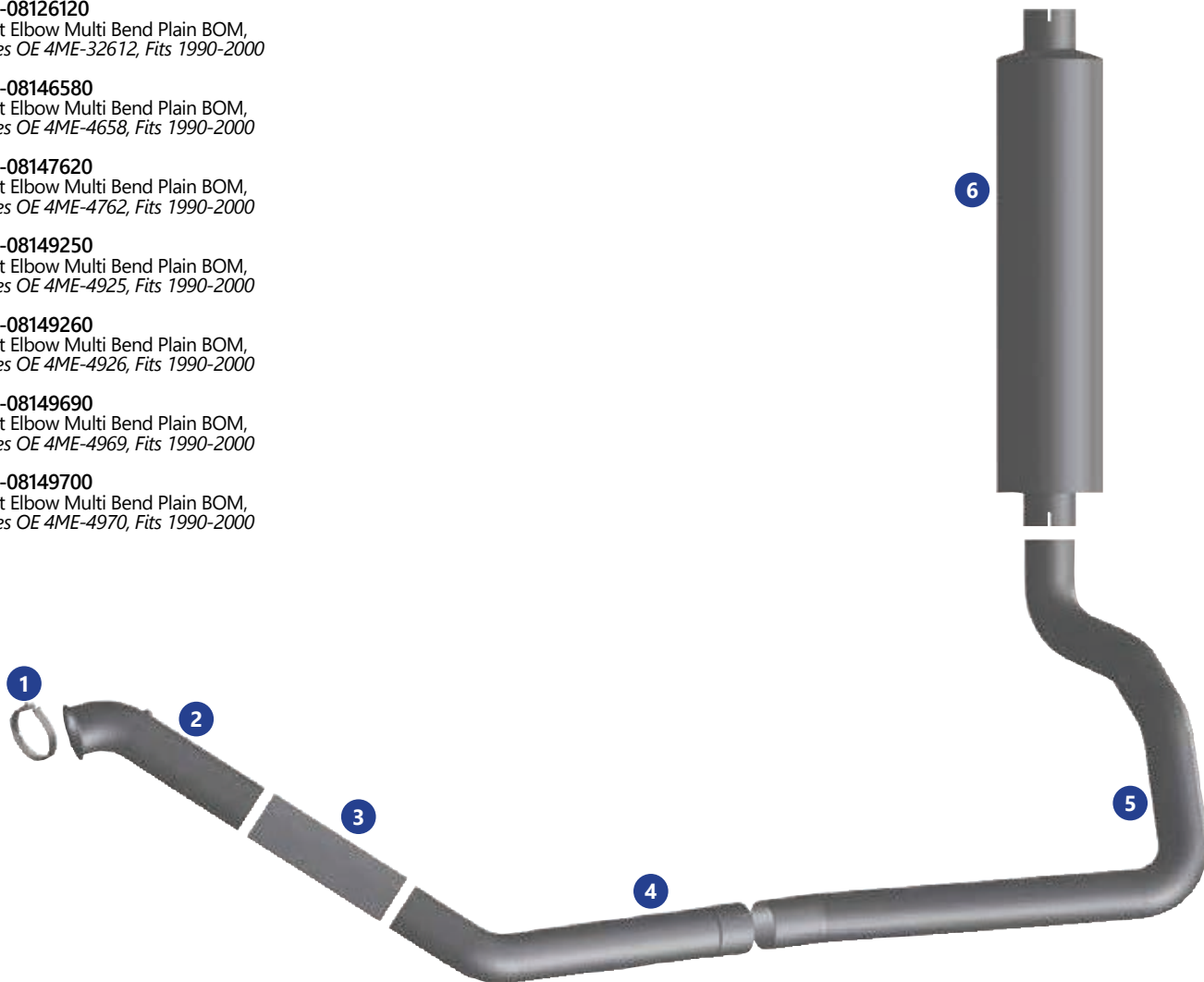
6 P/N 29-080200
5" I.D. x 10" Dia. Muffler, Replaces OE 2ME-3104, 2ME-3104P5

NS P/N 09-0800009
5" Stainless Steel Flat Band Clamp

P/N 09-0800010
5" Stainless Steel Preformed Band Clamp

P/N 09-08504807
5" O.D. x 48" Turnout Chrome Top Stack, Other Sizes Available

P/N 09-08506007
5" O.D. x 60" Turnout Chrome Top Stack, Other Styles Available



***Prices are subject to change without notice.
****High Quality Aftermarket Replacement Part (Not OEM Parts).
All items represented are aftermarket replacement parts. If you require OEM parts, please contact your nearest authorized Mack dealer. Four State Trucks is not affiliated with Mack.